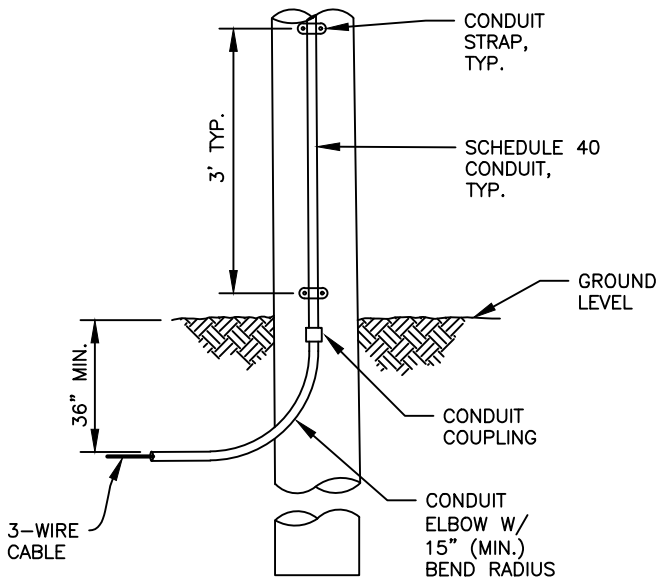
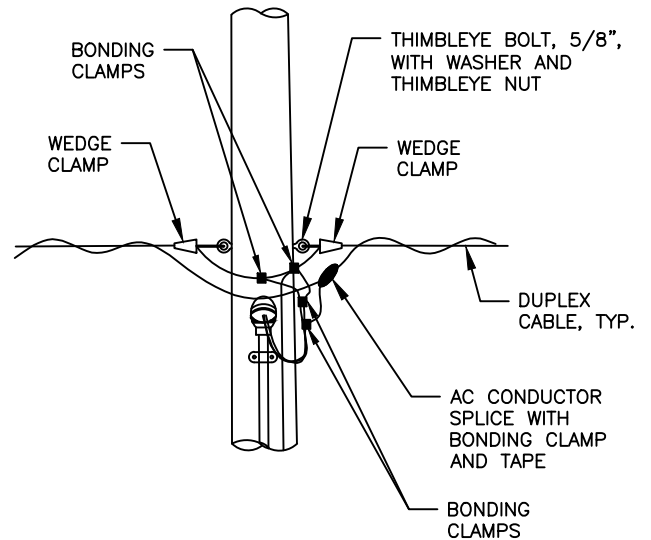


SPLICE AT SPAN END




ELECTRICAL SERVICE OVERHEAD



SPLICE AT MID-SPAN

UNDERGROUND TO OVERHEAD  
ELECTRICAL CONNECTION  
NTS REV: 6/11/18

 CITY OF ARLINGTON, TEXAS		
<b>Underground to Overhead Electrical Connection</b>		
DATE:	SCALE: NTS	SHEET ___ OF ___
DESIGNED BY:	DRAWN BY:	CHECKED BY: