

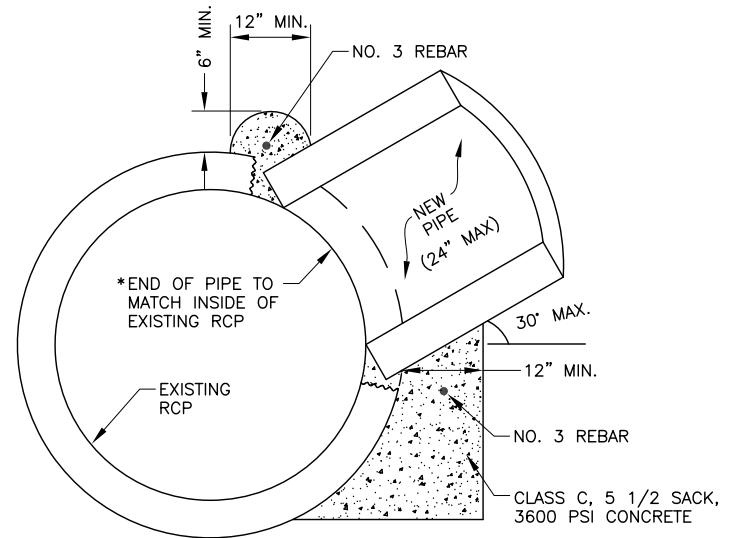
DETAIL "A"  
LATERAL CONNECTION TO  
EXISTING STORM DRAIN

NOTES:

1. CARE MUST BE TAKEN TO PREVENT DEBRIS FROM ENTERING THE STORM DRAIN. ALL DEBRIS WHICH ENTERS THE STORM DRAIN MUST BE REMOVED. THE STORM DRAIN MUST BE LEFT CLEAN AND UNOBSTRUCTED UPON COMPLETION OF THE CONTRACT.
2. IF THE EXISTING STORM DRAIN PIPE IS CRACKED, BROKEN OR OTHERWISE DAMAGED BY THE CONTRACTOR, THE CONTRACTOR SHALL REPLACE THAT SECTION OF PIPE WITH PIPE EQUAL AND SIMILAR IN ALL RESPECTS TO THE PIPE IN THE EXISTING STORM DRAIN, IN A CAREFUL WORKMANLIKE MANNER, WITHOUT EXTRA COMPENSATION

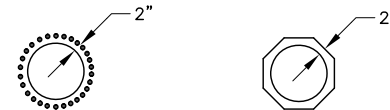
STORM DRAIN CONNECTION  
TO EXISTING

NTS REV: 7/25/17



MAXIMUM DIAMETER OF NEW PIPE EQUALS ONE HALF OF EXISTING PIPE'S DIAMETER.

REMOVAL OF PLUG FROM EXISTING RCP TO BE ACCOMPLISHED BY CORING, OR BY USING A MASONRY DRILL AT A SPACING EQUAL TO THE DRILL BIT DIAMETER IN A CIRCULAR PATTERN OR A MASONRY SAW IN AN OCTAGONAL PATTERN PER DETAIL.



ALL OTHER METHODS OF PLUG REMOVAL SHALL BE PRE-APPROVED BY THE CITY.

DETAIL "B"  
CONNECTION TO  
EXISTING RCP



CITY OF ARLINGTON, TEXAS

STORM DRAIN CONNECTION  
TO EXISTING

DATE:	SCALE: NTS	SHEET ____ OF ____
DESIGNED BY:	DRAWN BY:	CHECKED BY: