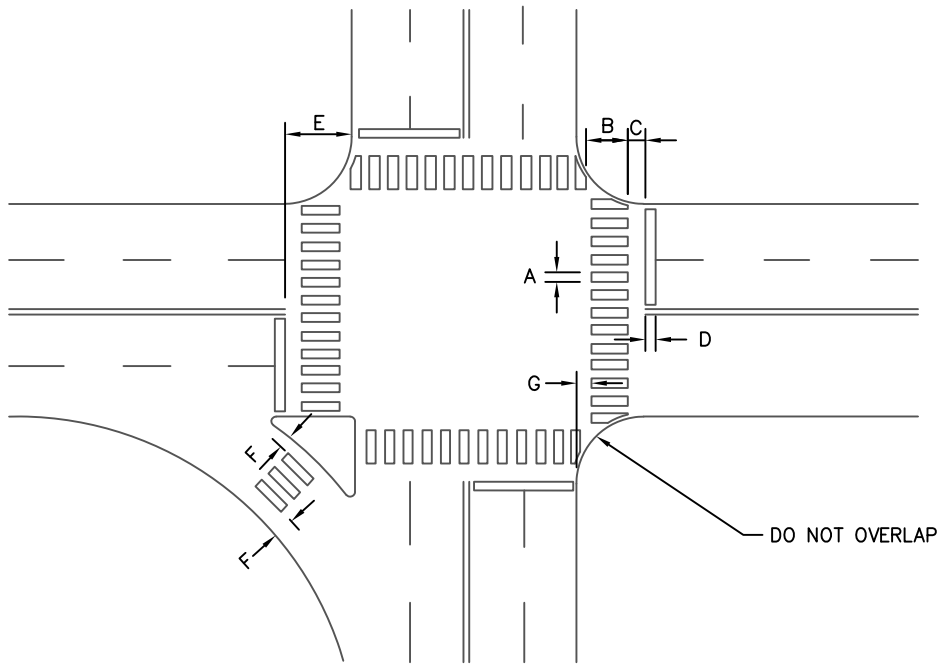
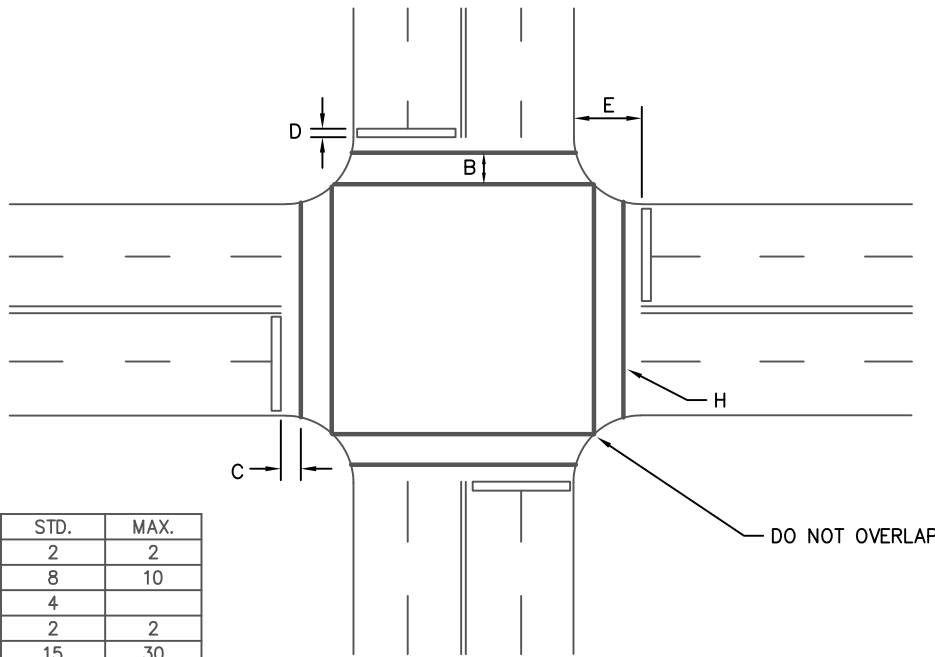


STANDARD CROSSWALK AND STOP BAR MARKINGS AT INTERSECTIONS WITH SCHOOL CROSSINGS



STANDARD CROSSWALK AND STOP BAR MARKINGS AT INTERSECTIONS



DIMENSIONS	MIN.	STD.	MAX.
A	1	2	2
B	6	8	10
C	4	4	
D	1	2	2
E	4	15	30
F		3.5	
G	3		
H		1	

ALL NUMBERS SHOWN ARE IN FEET

STANDARD CROSSWALK AND STOP BAR MARKINGS

NTS

9/20/18



CITY OF ARLINGTON, TEXAS

STANDARD CROSSWALK AND STOP BAR MARKINGS

DATE:	SCALE: NTS	SHEET ___ OF ___
DESIGNED BY:	DRAWN BY:	CHECKED BY: