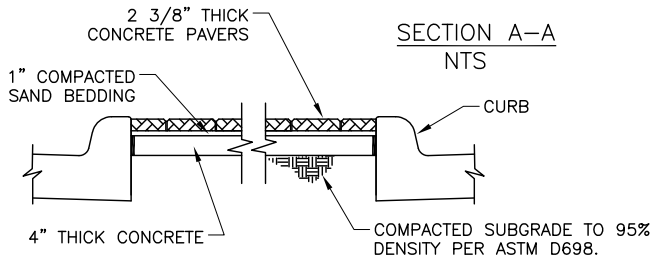
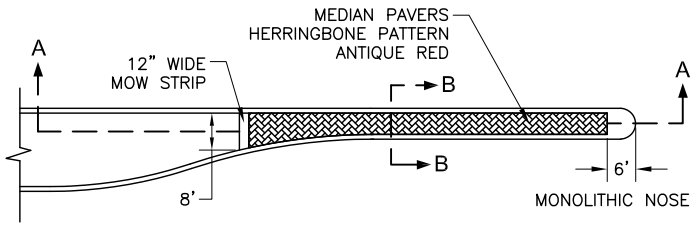


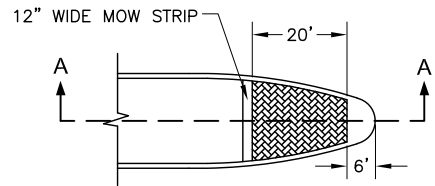
SECTION A-A
NTS



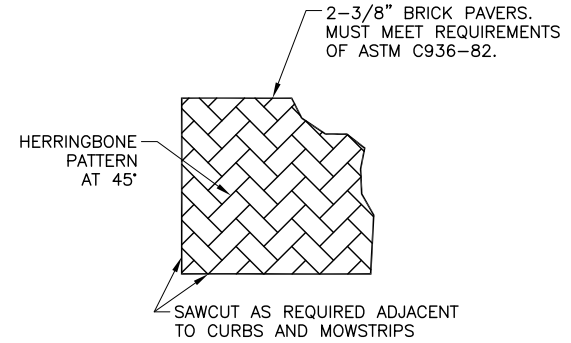
SECTION B-B
NTS



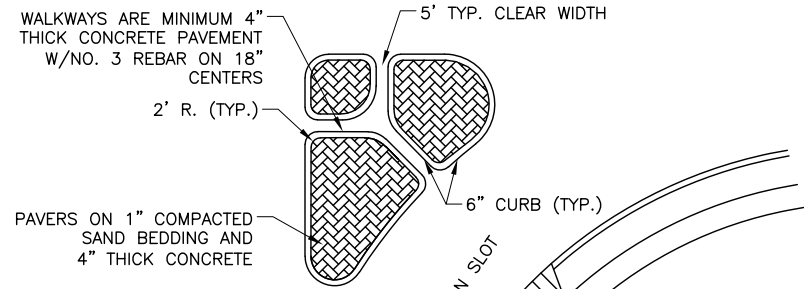
MEDIAN LESS THAN 8 FEET WIDE
NTS



MEDIAN GREATER THAN 8 FEET WIDE
NTS



CONCRETE PAVER PATTERN
NTS




TYPICAL ISLAND AT INTERSECTION
NTS

NOTES:

1. CONCRETE SHALL BE CLASS C, 5 1/2 SACK, 3600 PSI.
2. INTERLOCKING CONCRETE PAVER HERRINGBONE PATTERN, ANTIQUE RED AS APPROVED BY THE CITY.
3. 3/4" ASPHALT EXPANSION JOINT MATERIAL ANY PLACE WHERE CONCRETE ABUTS CONCRETE.
4. STEEL REINFORCING UNDER MEDIAN NOSE IS SAME AS PAVEMENT REQUIREMENT.
5. CONCRETE UNDER PAVERS IS NON-REINFORCED.
6. SAND SHALL BE IN ACCORDANCE WITH PAVESTONE INC. RECOMMENDATIONS OR APPROVED EQUAL.
7. ALL CONCRETE AND BRICK SHALL BE WET SAWED.

MEDIAN NOSE PAVERS
NTS REV: 7/18/17

 CITY OF ARLINGTON, TEXAS		
MEDIAN NOSE PAVERS		
DATE:	SCALE: NTS	SHEET: OF
DESIGNED BY:	DRAWN BY:	CHECKED BY: