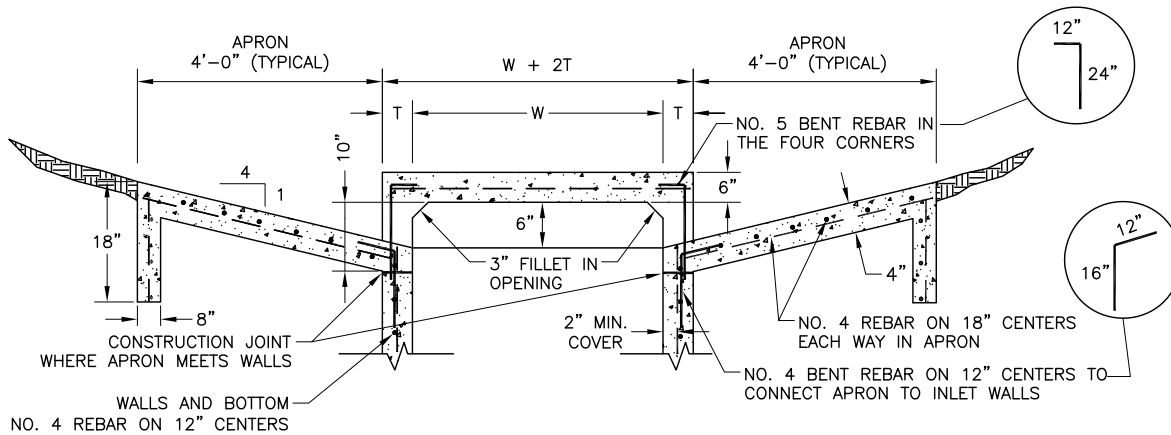


PLAN OF TOP SLAB  
NTS

INLET SIZE	T	W
4' SQUARE	7"	4'-0"
5' SQUARE	8"	5'-0"
6' SQUARE	9"	6'-0"

NOTES:

1. REINFORCING STEEL SHALL BE NO. 4 REBAR AT 12" CENTERS BOTH WAYS FOR BOTTOM SLAB AND WALLS, AND NO. 4 REBAR AT 6" CENTERS BOTH WAYS FOR TOP SLAB. ADDITIONAL REINFORCING STEEL SHALL BE PLACED AROUND MANHOLES AS SHOWN.
2. ALL REINFORCING STEEL SHALL BE GRADE 60.
3. ALL CONCRETE SHALL BE CLASS C, 5 1/2 SACK, 3600 PSI.
4. ALL EXPOSED CORNERS SHALL BE CHAMFERED 3/4"
5. ALL REINFORCING STEEL SHALL HAVE A MINIMUM COVER OF 2" ON INSIDE FACE WALL.
6. ALL BACKFILLING SHALL BE PERFORMED BY MECHANICAL TAMPING TO 95% DENSITY PER ASTM D698.
7. ALL DROP INLETS SHALL HAVE ONE OPENING ON EACH SIDE UNLESS OTHERWISE SHOWN ON PLANS.
8. LIGHT BROOM FINISH ON ALL SURFACES.
9. PRECAST INLETS SHALL NOT BE ALLOWED.
10. STEPS ARE REQUIRED UNDER ALL MANHOLES FOR DROP INLETS WITH A DEPTH OF 4 FEET OR GREATER (\*SEE NON-CORROSIVE STEP DETAIL).
11. NON-TRAFFIC RATED MANHOLE LID SHALL BE USED UNLESS OTHERWISE SPECIFIED. (\*SEE STORM DRAIN MANHOLE COVER & FRAME DETAIL)



SECTION A-A  
NTS

DROP INLET  
NTS REV: 7/25/17



CITY OF ARLINGTON, TEXAS

DROP INLET

DATE:	SCALE: NTS	SHEET: OF
DESIGNED BY:	DRAWN BY:	CHECKED BY: