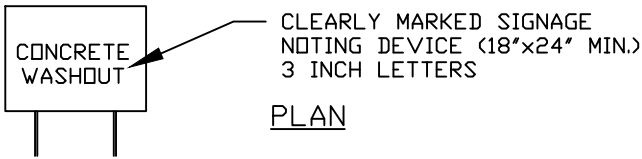
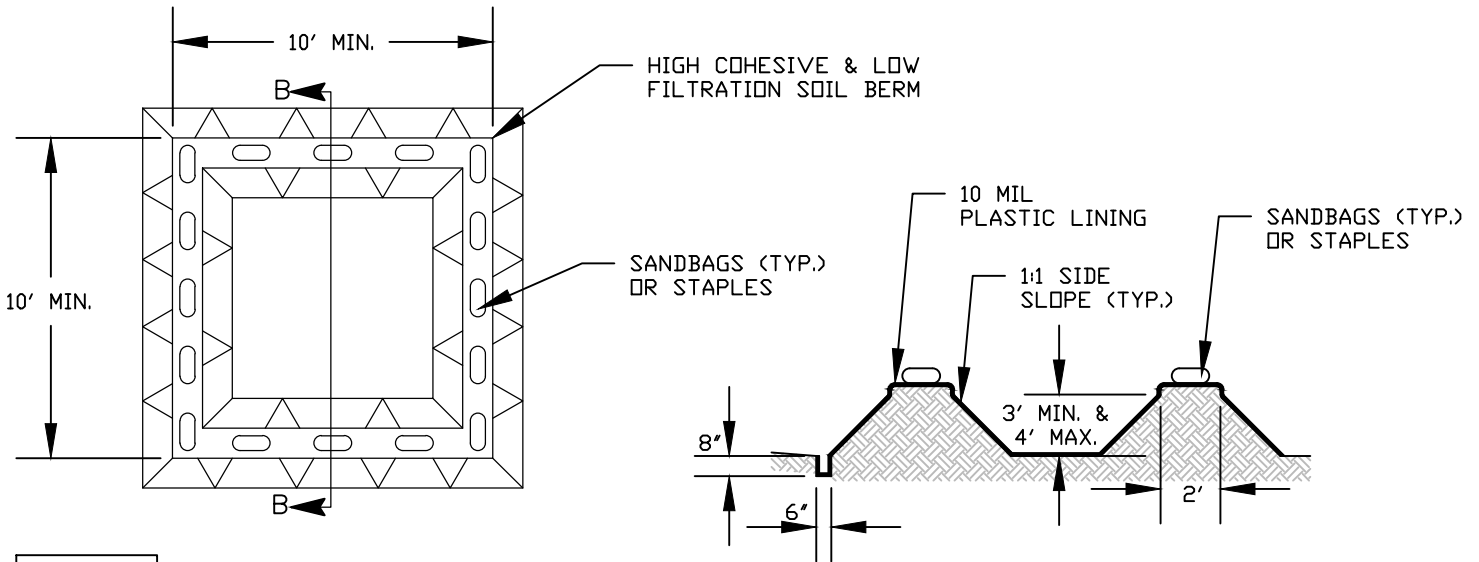


PLAN

BELOW GRADE WASHOUT STRUCTURE  
02/06/18 N.T.S.



PLAN

ABOVE GRADE WASHOUT STRUCTURE  
02/06/18 N.T.S.

GENERAL NOTES FOR BOTH DETAILS:

1. LOCATION SHALL BE INDICATED ON THE PLANS.
2. THE CONCRETE WASHOUT STRUCTURES SHALL BE CLEANED OUT WHEN THE LIQUID AND/OR SOLID REACHES 75% OF THE STRUCTURES' CAPACITY.
3. CONCRETE WASHOUT STRUCTURE NEEDS TO BE CLEARLY MARKED WITH A SIGNAGE NOTING DEVICE.
4. ANY PREFABRICATED CONCRETE WASHOUT BINS MUST BE APPROVED BY THE CITY PRIOR TO USE.

CITY OF ARLINGTON, TEXAS		
<b>CONCRETE WASHOUT</b>		
DATE: 02/06/18	SCALE: NTS	SHEET _____ OF _____
DESIGNED BY: KDC	DRAWN BY: KDC	CHECKED BY: _____